

SHIMANO®

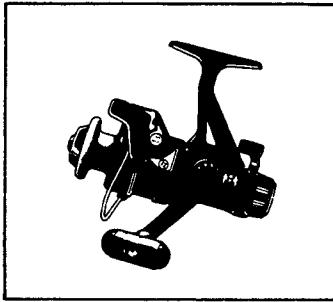
1987 REPAIR MANUAL

Shimano American Corporation, One Shimano Dr.
Irvine, CA 92718

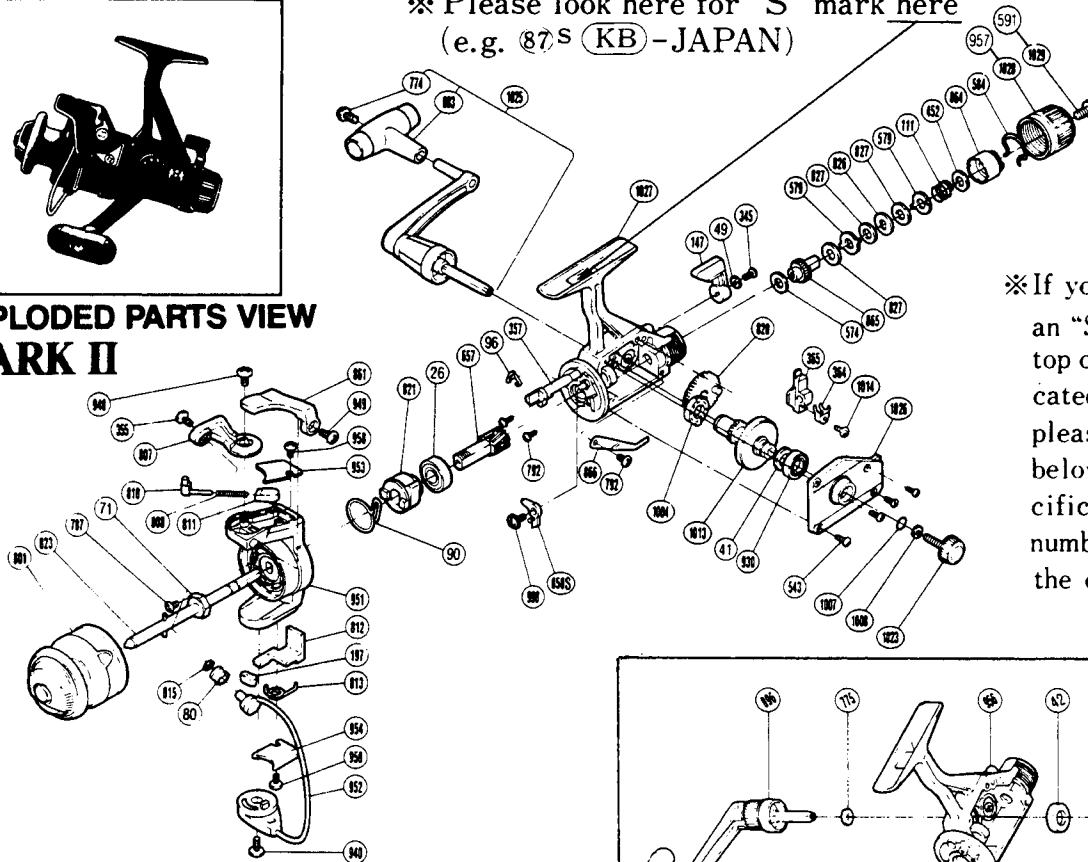
TO ORDER:

This reel belongs to the "Rear Drag" series.
Please order parts using the abbreviation
"RD" and the part number.

※ Please look here for "S" mark here
(e.g. 87^S KB-JAPAN)



EXPLODED PARTS VIEW MARK II



PARTS LIST

PART # DESCRIPTION

- 26. Ball Bearing
- 41. Drive Gear Washer
- 42. Bushing
- 44. Handle Lock Washer
- 45. Handle Lock Screw (Originally 796)
- 49. Lock Washer
- 71. Rotor Nut
- 80. Line Roller
- 90. Anti-Reverse Pawl Spring
- 96. Anti-Reverse Cam Spring
- 111. Drag Coil Spring
- 147. Anti-Reverse Lever
- 197. Bail Trip Slide Cam
- 344. Handle Screw Cap
- 345. Anti-Reverse Lever Screw
- 355. Line Roller Screw (orig. 959)
- 357. Anti-Reverse Cam
- 360. Drive Gear
- 363. Slider Retainer Screw
- 364. Oscillating Slider Retainer
- 365. Oscillating Slider
- 452. Drag Spring Washer "A"
- 543. Side Cover Screw
- 574. Drag Washer "C₂"
- 579. Eared Washer "B"
- 584. Hold Click Spring

PART # DESCRIPTION

- 591. Drag Knob Screw (original)
- 657. Pinion Gear
- 775. Handle Lock Washer
- 787. Nut Lock Screw
- 792. Multi Purpose Screw
- 801. Spool Assembly (Universal)
- 807. Bail Arm
- 808. Bail Spring
- 810. Bail Spring Guide A
- 811. Bail Spring Guide B
- 812. Bail Trip Lever
- 813. Lever Spring
- 815. Line Roller Washer
- 820. Oscillating Gear
- 821. Anti-Reverse Ratchet
- 822. Anti-Reverse Pawl Screw
- 823. Main Shaft
- 826. Key Washer "A"
- 827. Drag Washer "H₁"
- 850. Anti-Reverse Pawl
- 856. Anti-Reverse Pawl Spacer
- 861. Quick-Fire II Trigger
- 864. Pressure Screw
- 865. Drag Shaft
- 866. Drag Click
- 896. Handle Assembly
- 930. Ball Bearing
- 940. Bail Trip Cam Screw

PART # DESCRIPTION

- 949. Trigger Screw
- 951. Rotor
- 952. Bail Assembly
- 953. Bail Spring Cover
- 954. Bail Trip Cover
- 955. Side Cover
- 956. Body
- 957. Drag Knob (original)
- 958. Bail Trip Cover Screw
- 998. Anti-Reverse Pawl Screw ("S" Version)
- 1004. Bushing ("S" Version)
- 1007. Lock Washer Retainer ("S" Version)
- 1008. Handle Lock Washer ("S" Version)
- 1013. Drive Gear ("S" Version)
- 1014. Slider Retainer Screw ("S" Version)
- 1023. Handle Screw Cap ("S" Version)
- 1025. Handle Assembly ("S" Version)
- 1026. Side Cover ("S" Version)
- 1027. Body ("S" Version)
- 1028. Drag Knob ("S" Version)
- 1029. Drag Knob Screw ("S" Version)

